

SPARE PARTS



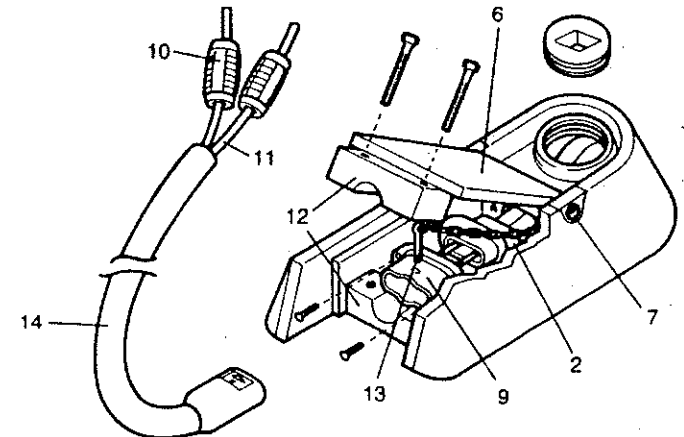
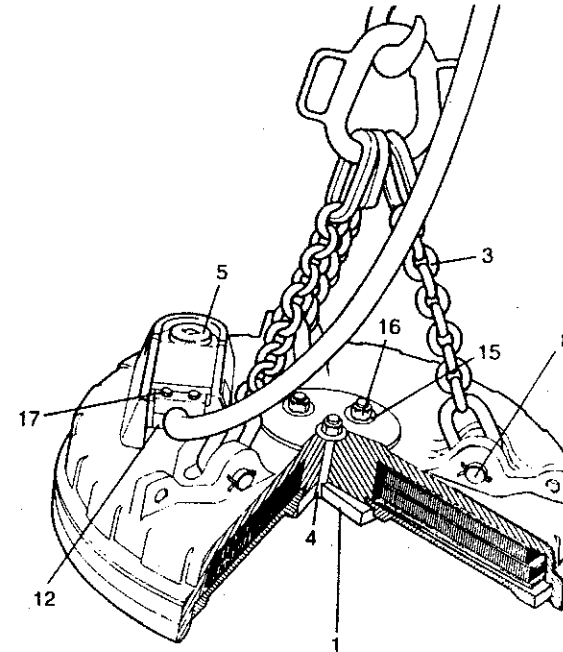
46405700 SP

SHEET OF

TITLE: 57" LIFTMASTER

CATALOG NO. 46405700

REF.	QTY	DESCRIPTION	CATALOG NO.
N/A	1	Inner Shoe	46305702
	0		
	1	Internal Lead	46006605
	1	Suspension Assembly	46006606
N/A	0	Bolt — Inner Shoe	46105707
	1	Pipe Plug	39910350
	1	Cover	46306610
	2	Cover Bushing	46306611
	3	Pin — Magnet	46005712
	1	Protector Lead	46006613
	2	Twist Lock Connector	46004816
	1	External Lead	46006614
	1	Lead Clamp	46306609
	1	Lock Pin Assembly	46306618
	1	Protector Cable	46109215
N/A	*15	Safety Washer	46004847
N/A	16	Hex Nut	39081250
	17	Hex Bolt	3/8-10X3 1/2"
	18	Socket Head Cap Screw	3/8-16X1"



\*Two required per bolt.

N/A = NOT APPLICABLE ON THIS DESIGN (OPTIONAL)